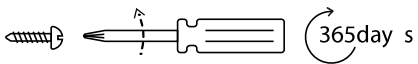
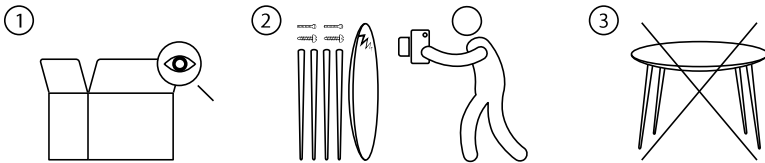
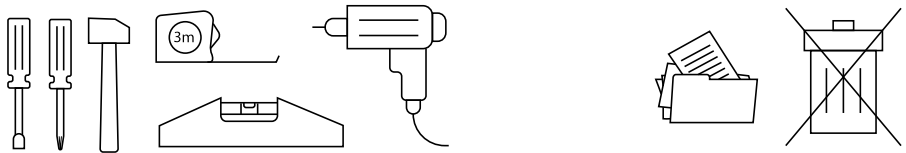
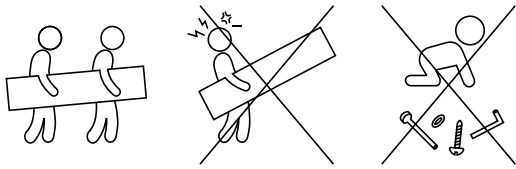


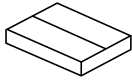
NELLY







10 min



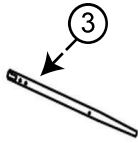
x1



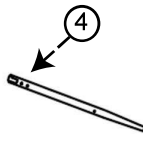
x1



F x1



G x2



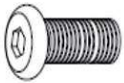
H x2



I x1



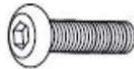
J x1



A x12 (M6x16)



B x4 (Ø6)



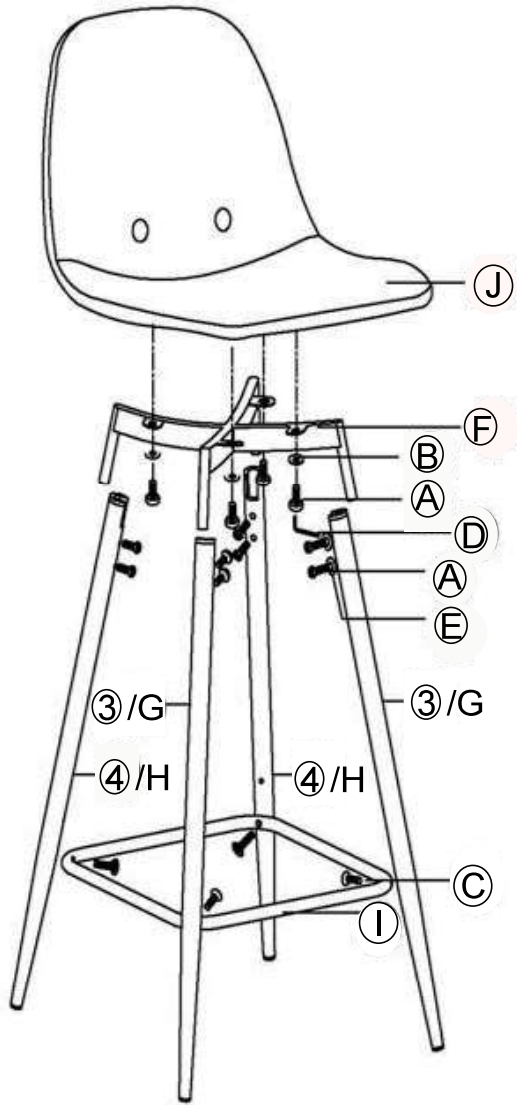
C x4 (M6x20)



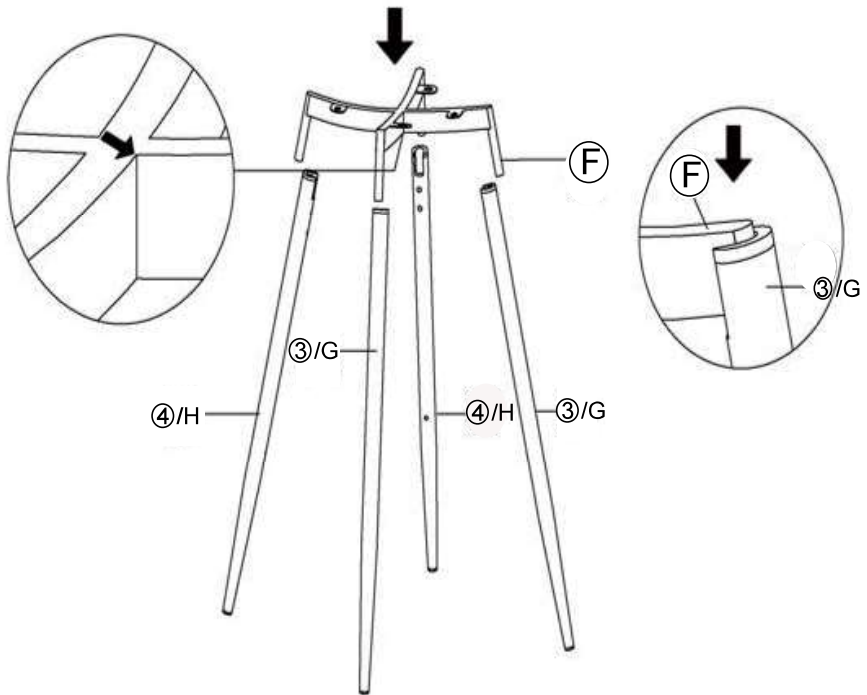
D x1 #5



E x8 (Ø6)

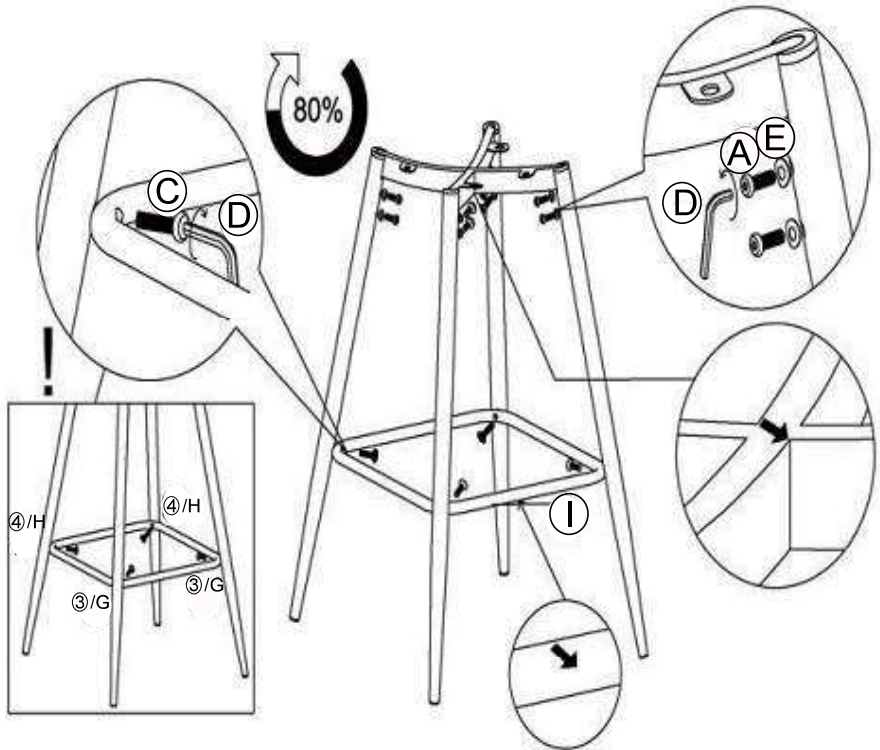


1

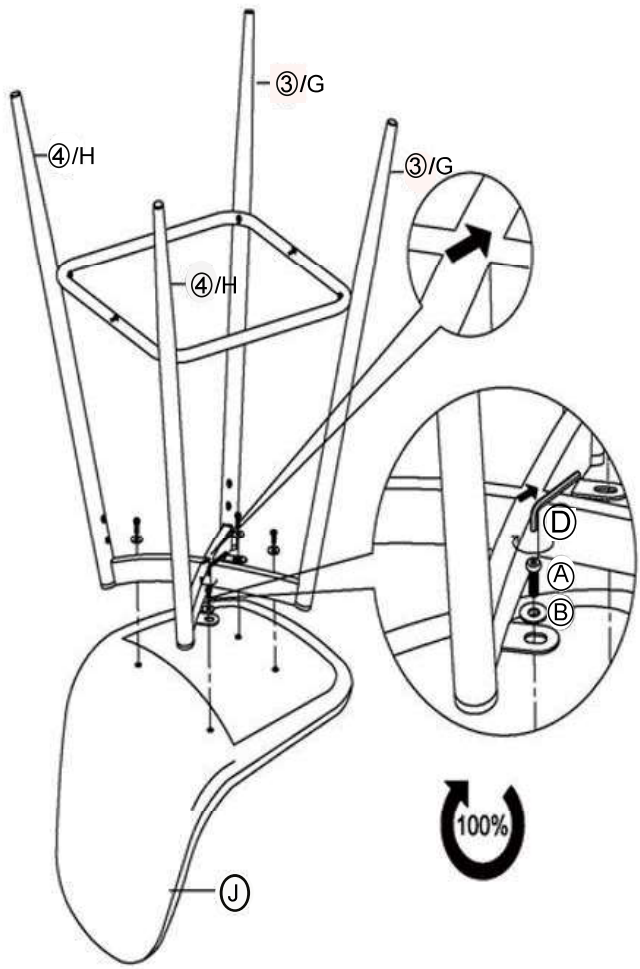




2



3



4

